



EVERY COMFORT.™



THE CUMMINS COMFORTGUARD™ APU SYSTEM

WHEN WE SAY EVERY COMFORT, WE MEAN IT.

Cummins — the most trusted name in performance on the road — now powers every comfort off the road with the Cummins ComfortGuard™ APU System. The need for an auxiliary power unit (APU) has never been greater. The Cummins ComfortGuard APU System will reduce your fuel costs and enable you to comply with idling reduction laws and stringent noise and emissions regulations.

Power for Your Every Comfort

The Cummins ComfortGuard is the state-of-the-art APU system. It is designed by Cummins Inc., the trusted name in diesel engines, and features a genset by Cummins Onan, a Cummins brand and the leader in mobile power generation. The ComfortGuard system is designed and built to tackle the high loads and extreme temperatures encountered in the heavy-duty trucking environment. Powered by a two-cylinder diesel engine, the ComfortGuard APU System is



equipped with a powerful heating and air-conditioning system that keeps you comfortable when the main truck engine is off. It also provides both 120-volt AC and 12-volt DC electrical power to quietly operate all of your truck's cab and hotel loads — every load — including:

- Air Conditioner
- Cab Heater
- Block Heater
- Computer
- TV/DVD/VCR
- Microwave
- Coffee Maker
- Fans
- Marker Lights
- Interior Lights
- Flashers

Power to Keep Your Truck Road-Ready

When you turn off your truck's engine, the ComfortGuard APU System goes to work to keep it ready. The system continuously monitors and displays battery voltage and engine coolant temperature, and can be set to automatically start to charge the batteries and warm the main engine block, ensuring fast starts in extreme temperatures. ComfortGuard APU Systems can be installed with main-engine integrated cooling systems, or independently using an optional stand-alone kit.

Powerful Savings for Your Business

Whether you own one truck or manage hundreds, the Cummins ComfortGuard APU System is a cost-saving alternative to idling. In fact, it can lower fuel use by a very comforting 80% compared to idling. The ComfortGuard APU System also helps you comply with idling restrictions, now in force across the U.S. and Canada, and guards your business from having to pay heavy idling fines. It also makes complying with emissions regulations worry-free, meeting all EPA, CARB, state and local regulations.

Simple Control

The ComfortGuard control system provides manual and automatic operation to manage APU use for fuel efficiency, comfort and convenience. The control system features:

- One-touch START/STOP
- APU hour meter
- Battery voltage monitor and indicator
- Coolant temperature display (gauge to ambient)
- APU diagnostics with text readout
- User-enabled automatic operation modes
- Selectable parameters for Auto Gen Start functions:
 - Cab temperature – automatic cab climate monitoring for heating/cooling
 - Road-Ready feature – maintains main engine and APU readiness
 - 7-day programmable timer – program start time up to 7 days in advance or same time every day

Complete Comfort With Cab Air

The ComfortGuard™ Cab Air heating and air conditioning system is part of the complete Cummins ComfortGuard APU system. The Cab Air system includes everything you need for a comfortable cab environment. In addition to the APU, our heating and cooling system includes the evaporator, condenser and thermostat. The system is powerful enough to heat and cool your truck's cab with ease.

Support of a Nationwide Network

Service and support from the Cummins network are unmatched in the industry. You can take comfort in the fact that, with more than 3,500 authorized service locations in North America, you're working with the largest parts and service network of any diesel engine manufacturer.

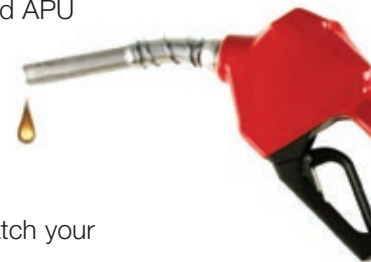


Installation Is Easy

The Cummins ComfortGuard APU System is designed for easy installation on trucks at the factory or dealership. The package includes all the components and hardware needed to complete a typical installation, while plug-n-play couplings simplify electrical and fluid connections throughout. This allows the system to be easily installed on existing trucks with less downtime and lower installation costs, whether you need to retrofit one truck or an entire fleet.

Payback Is Fast

By eliminating idling, the ComfortGuard APU System not only lowers your fuel expenses, it reduces wear and tear on the truck's main engine. Payback varies but is usually less than two years. In addition, service intervals match your on-highway engine, minimizing maintenance.



Comfort of a Full Warranty

The Cummins ComfortGuard APU System brings with it more than 80 years of industry-leading innovation and design experience. The system comes with a full, two-year/4,000-hour factory warranty backed by Cummins.

TAKE COMFORT IN THE TOTAL COMFORTGUARD SYSTEM.



Thermostat

Provides adjustable temperature controls for heating and air conditioning systems.



Receptacle

120 volt AC outlets with GFI circuit protection.



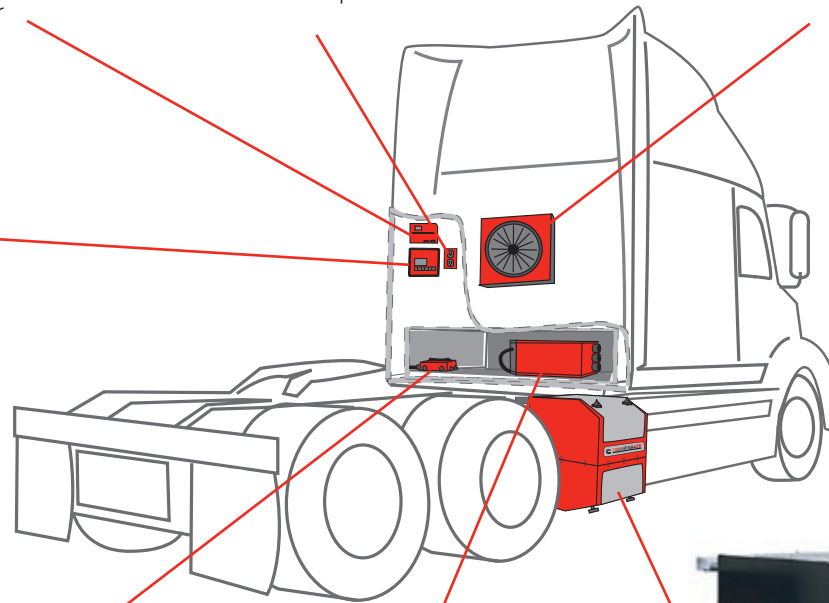
Condenser

Part of the air conditioning system, connected to the evaporator and located outside the truck.



APU Control Panel

Located inside the cab, displays all settings and makes it easy to set automatic controls.



AC Distribution Box

Channels power for heating, air conditioning and electrical outlets, GFI protected.



Evaporator

Part of the HVAC system, includes fan blower, compressor and heater, located inside the truck.



Auxiliary Power Unit

Contains the two-cylinder Kubota diesel engine and AC & DC electrical power generation.

APU SPECIFICATIONS:

- Two-cylinder, water-cooled Kubota diesel engine / Cummins-built alternator
- 120 v AC power output – 4 kW at 60 Hz
- 12 v DC power output – 40 amps
- Dimensions: 21" L x 24.5" D x 28" H
- Weight: 375 lbs.
- 1,000 hour oil change interval (matching truck)
- 2-year / 4,000-hour warranty

CAB AIR HEATING / COOLING SPECIFICATIONS:

- 12,000 BTU air conditioner
- 4,000 / 8,000 two-stage heater, plus outlet power
- Easy-to-operate, two-stage electronic wall thermostat comes standard

For More Information

For additional information on the Cummins ComfortGuard APU System and the name of your nearest Cummins distributor or dealer, call 1-800-888-6626 or visit our web site at **www.cumminscomfortguard.com**.





EVERY COMFORT.

www.cumminscomfortguard.com



Cummins Inc.
1400 73rd Ave. NE
Minneapolis, MN 55432
USA

Phone: 1-763-574-5000

USA Toll-free: 1-877-769-7669

Fax: 1-763-574-5298

Internet: www.cumminscomfortguard.com

© 2008 Cummins Inc. Printed in U.S.A.
F-1626 2/08 CAP-183